

135 135e

Spare parts

Ersatzteile

Pièces détachées

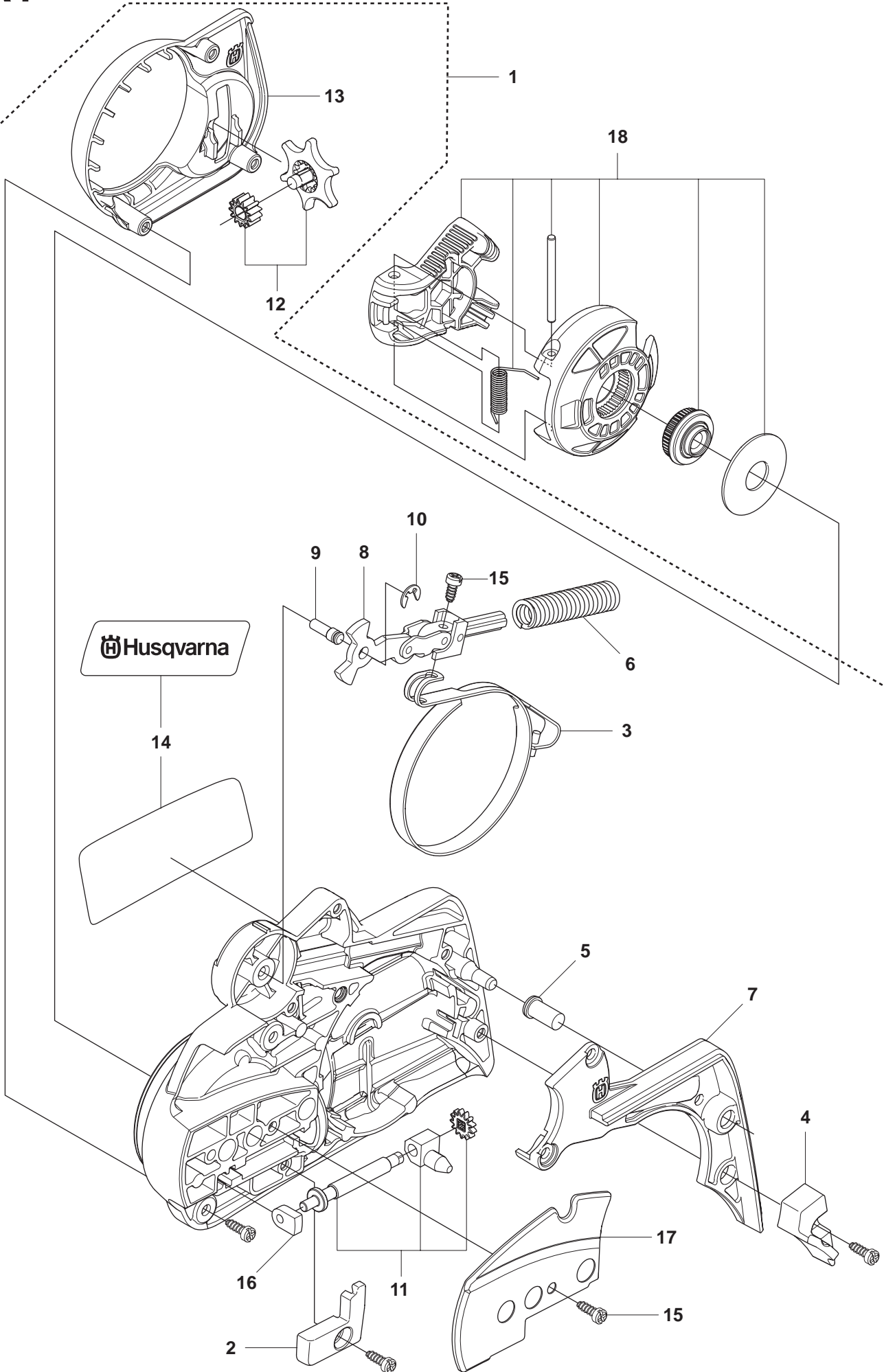
Reserve onderdelen

Repuestos

Reservdelar

A1

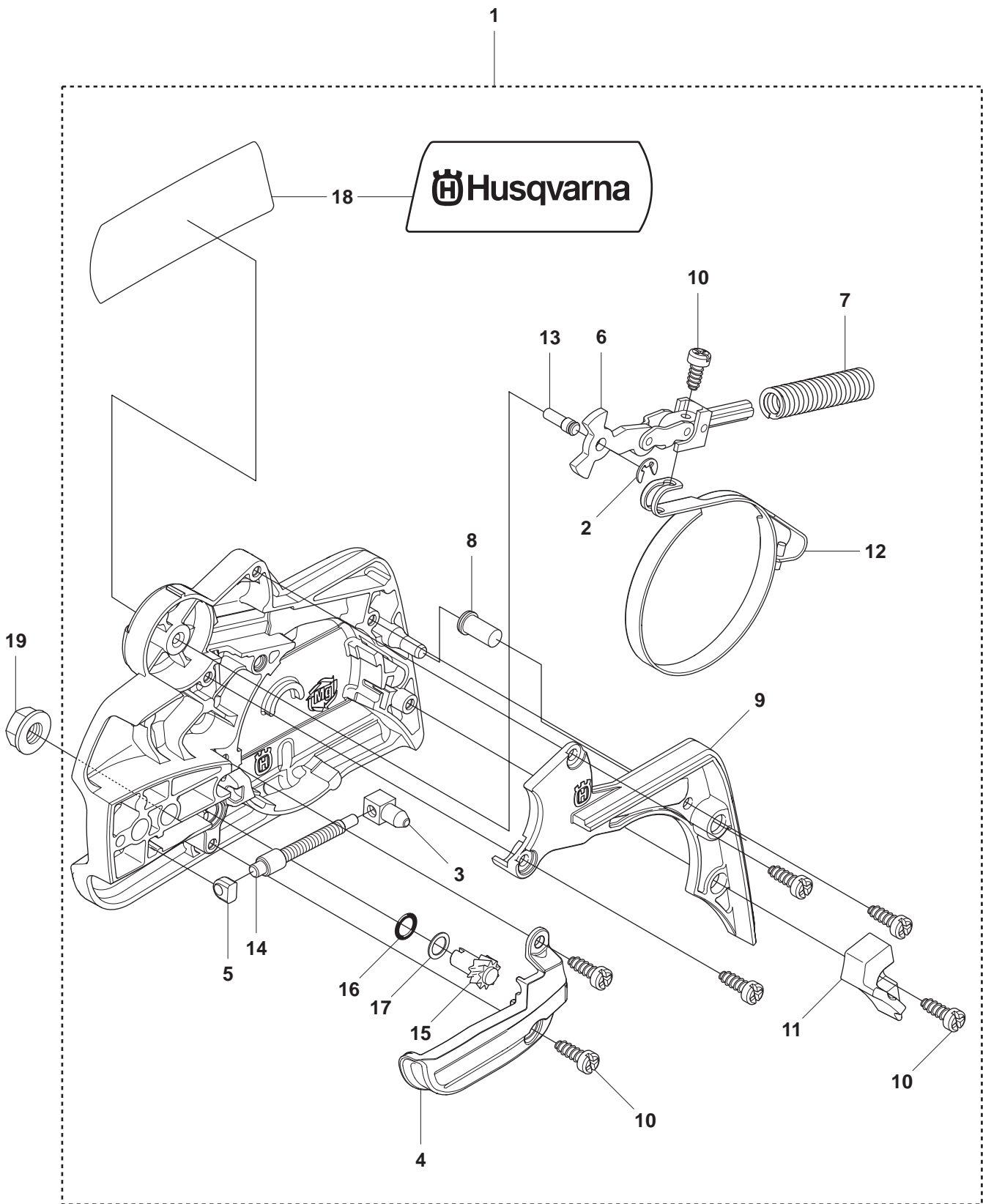
135e CHAIN BREAK & CLUTCH COVER



CHAIN BREAK & CLUTCH COVER

Position	Article	Quantity	Notes	Kit
1	544 19 49-05	1	Clutch cover assy	
2	504 54 28-01	1	Cover	1
3	544 30 60-01	1	Brake band assy	1
4	544 25 31-01	1	Wear protection	1
5	503 85 52-01	1	Guide bushing	1
6	505 89 26-01	1	Brake spring	1
7	544 24 85-01	1	Cover lid	1
8	503 89 08-02	1	Knee joint	1
9	503 89 29-01	1	Pin knee joint	1
10	735 31 08-20	1	E-clip	1
11	537 39 29-01	1	Chain tensioner screw	1
12	537 34 72-01	1	Chain tensioner wheel	1
13	537 39 26-01	1	Heat protector	1
14	544 35 75-01	1	Label	1
15	503 21 70-10	5	Screw	1
16	525 35 43-01	1	Bearing sleeve	1
17	505 32 10-01	1	Wear plate	1
18	537 34 78-01	1	Knob	

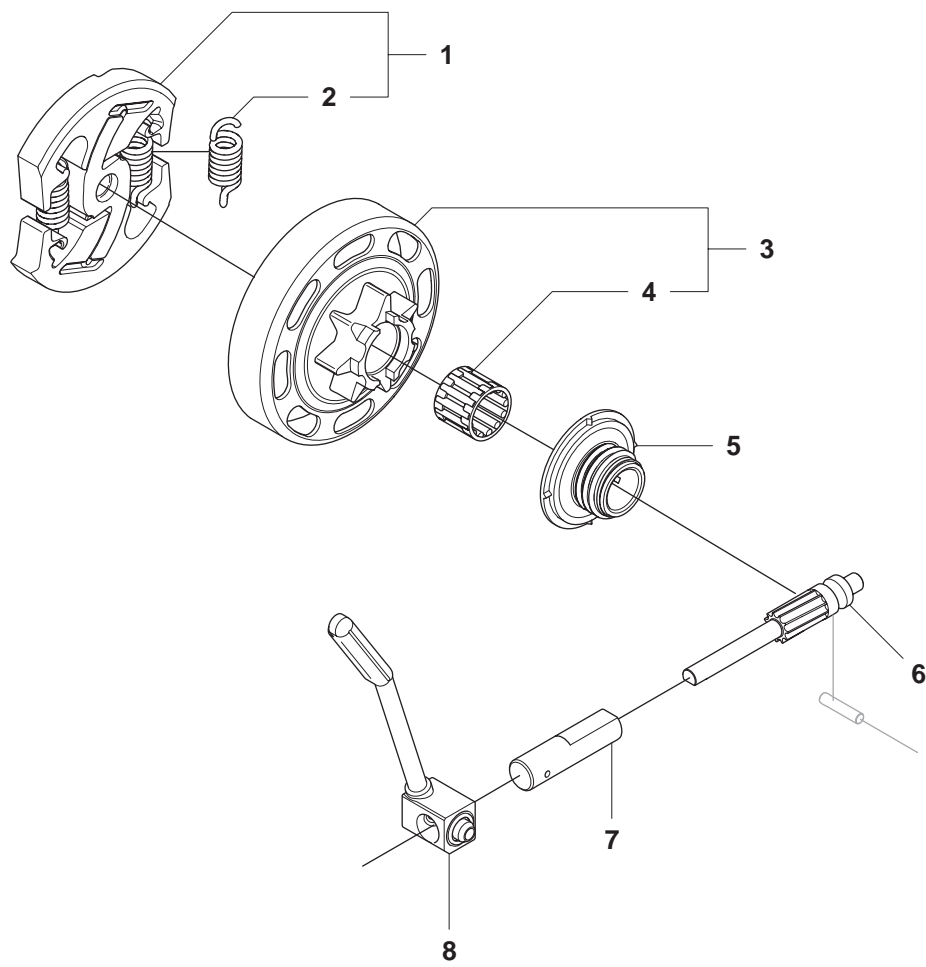
A2 135
CHAIN BRAKE & CLUTCH COVER



CHAIN BRAKE & CLUTCH COVER

Position	Article	Quantity	Notes	Kit
1	501 38 82-01		Clutch cover assy	
2	735 31 08-20	1	E-clip	1
3	537 28 66-01	1	Pawl	1
4	540 06 33-01	1	Chain guide	1
5	537 01 74-01	1	Bearing sleeve	1
6	503 89 08-02	1	Knee joint	1
7	505 89 26-01	1	Brake spring	1
8	503 85 52-01	1	Guide bushing	1
9	544 24 85-01	1	Cover lid	1
10	503 21 70-10	7	Screw	1
11	544 25 31-01	1	Wear protection	1
12	544 30 60-01	1	Brake band assy	1
13	503 89 29-01	1	Pin	1
14	537 39 70-01	1	Worm screw	1
15	537 07 94-02	1	Worm wheel	1
16	740 48 07-02	1	O-ring	1
17	503 23 00-63	1	Washer	1
18	544 37 68-01	1	Label, clutch cover	1
19	503 22 00-01	1	Nut	

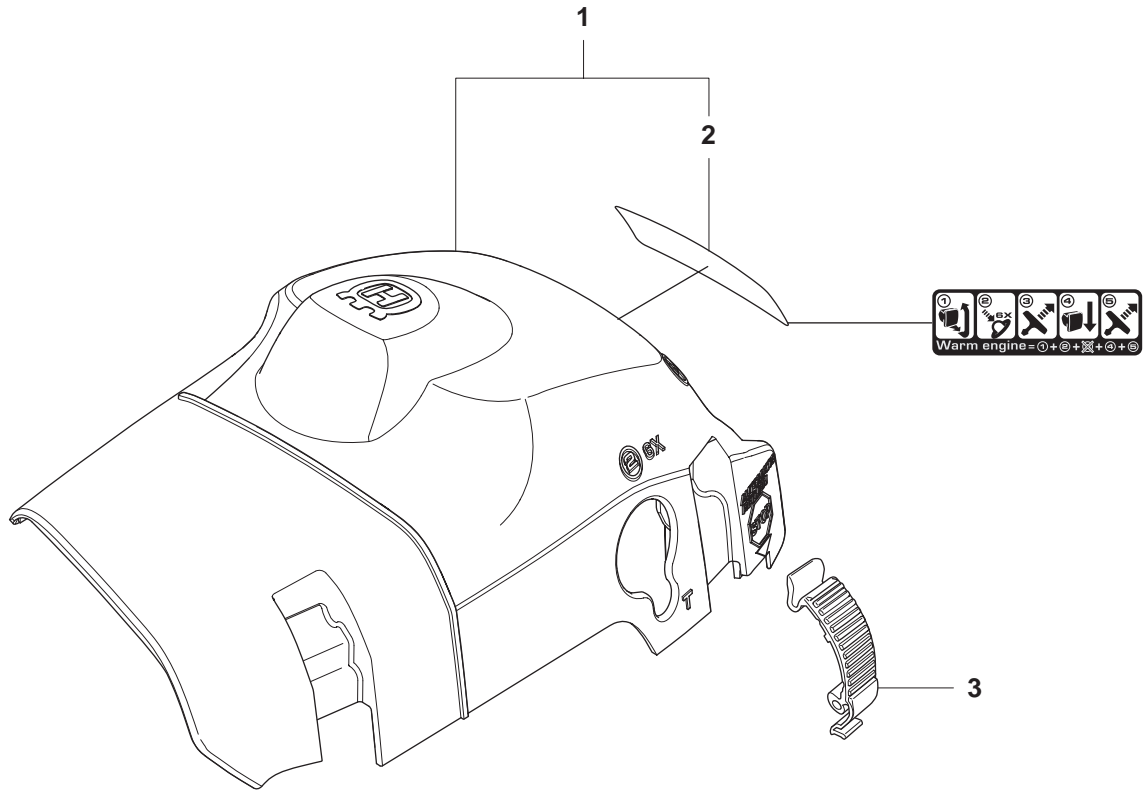
B 135, 135e
CLUTCH & OIL PUMP



CLUTCH & OIL PUMP

Position	Article	Quantity	Notes	Kit
1	575 56 80-01	1	Clutch assy	
2	574 71 88-01	2	Clutch spring	1
3	578 25 71-01	1	Clutch drum assy	
4	503 53 92-01	1	Needle bearing	3
5	544 21 24-02	1	Worm gear	
6	540 05 79-01	1	Pump piston	
7	537 15 48-01	1	Pump cylinder	
8	544 08 42-01	1	Oil hose	

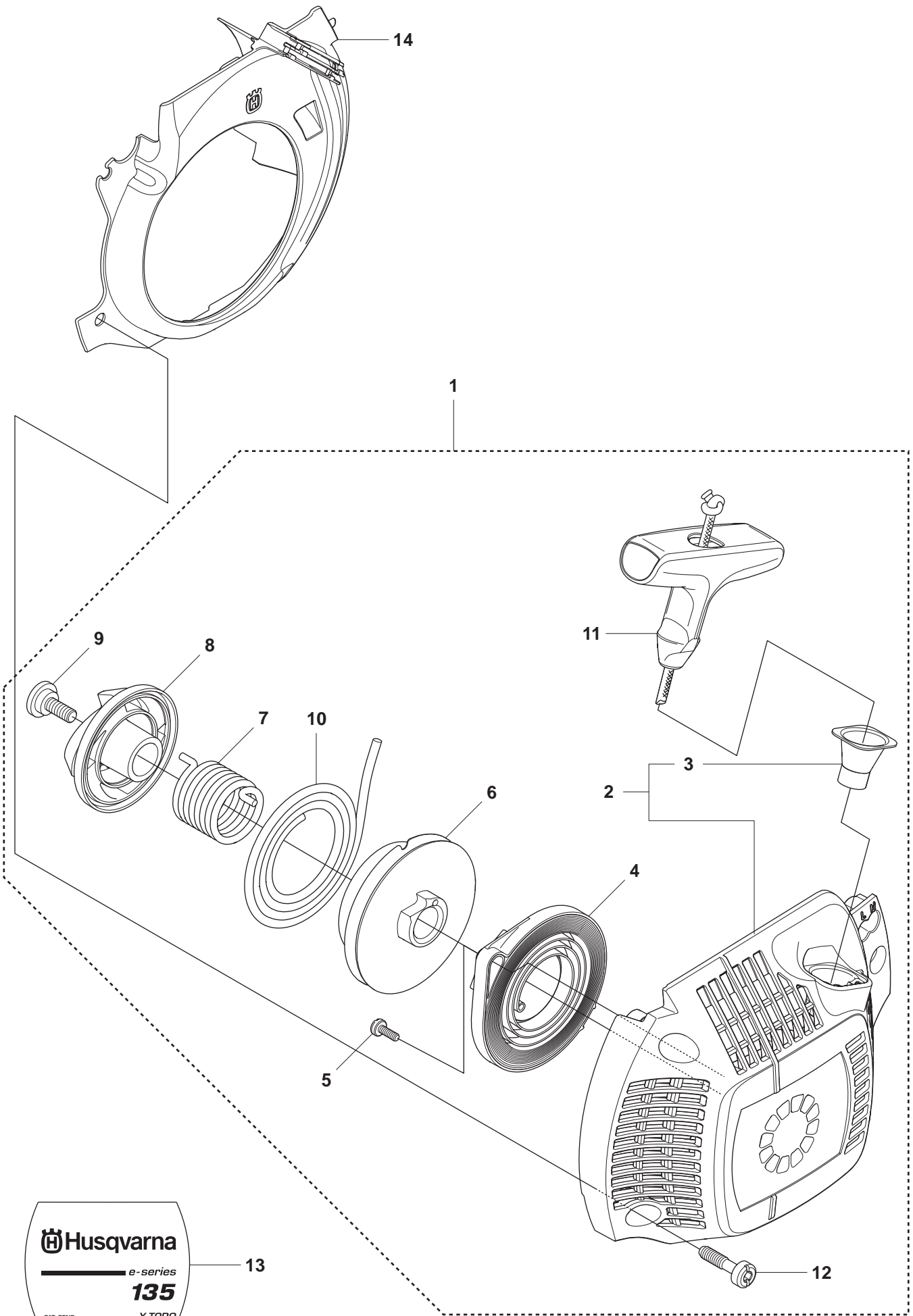
C 135, 135e
CYLINDER COVER



CYLINDER COVER

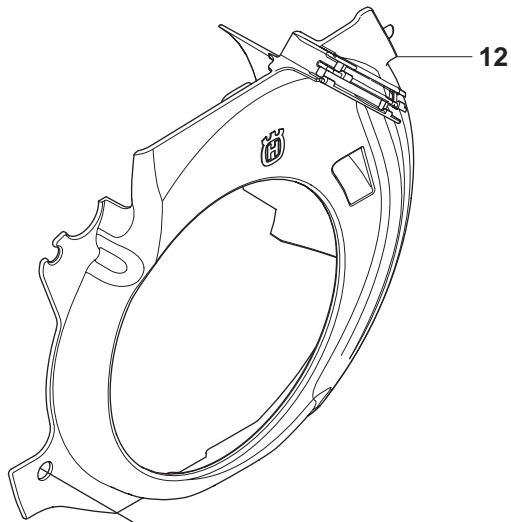
Position	Article	Quantity	Notes	Kit
1	504 79 02-01	1	Cylinder cover kpl	
2	522 73 60-01	1	Start reminder, label	1
3	503 89 47-01	3	Snap	

D1 135e
STARTER

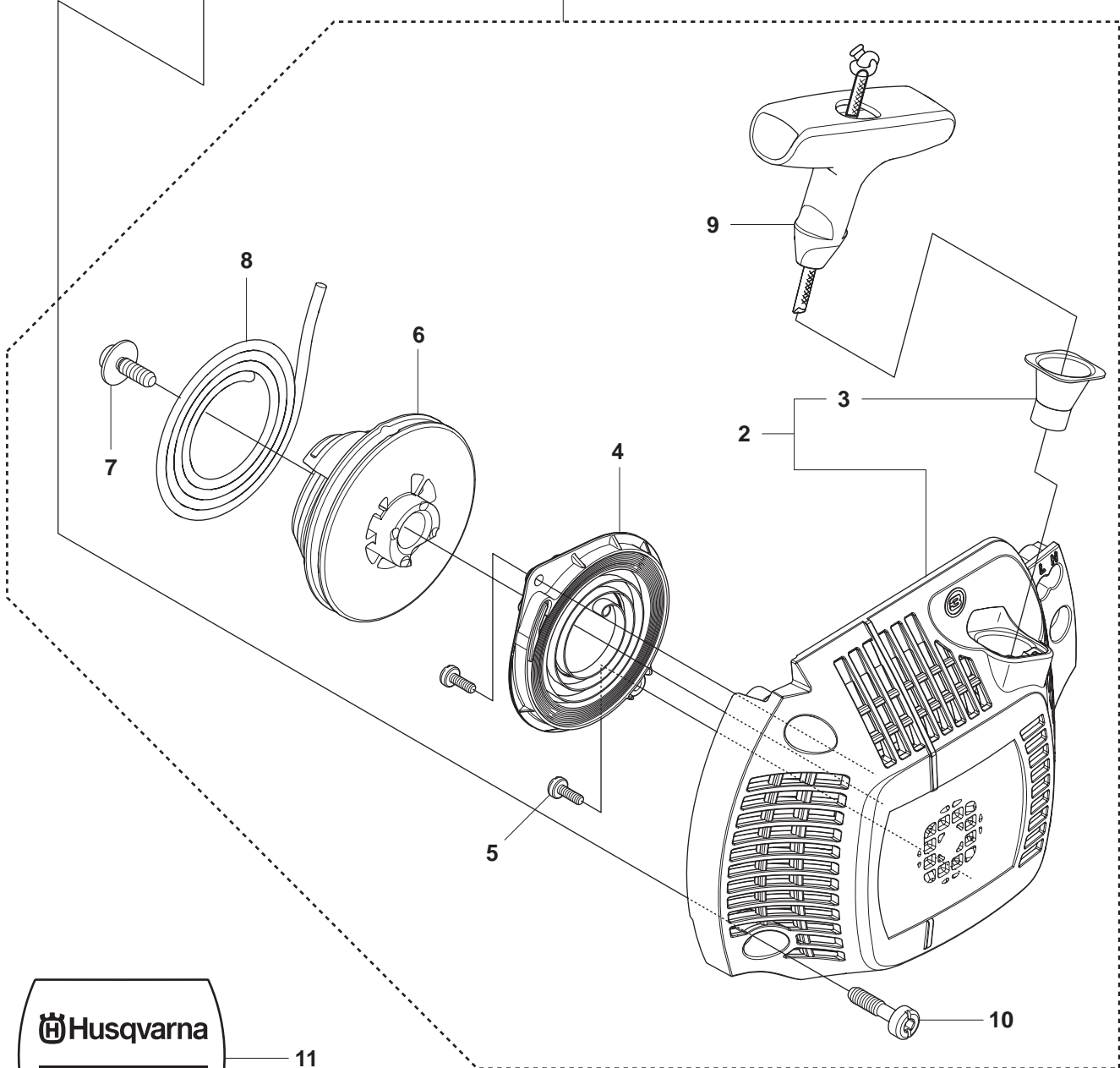


Position	Article	Quantity	Notes	Kit
1	544 28 70-02			
2	544 28 69-01	1	Starter housing	1
3	537 28 32-01	1	Reinforcement sleeve	1
4	540 05 75-02	1	Spring cassette assy	1
5	503 21 28-10	2	Screw CCRPANT	1
6	537 42 32-01	1	Starter pulley	1
7	505 64 73-01	1	Spring	1
8	537 42 33-01	1	Driver	1
9	537 42 66-01	1	Screw	1
10	505 30 51-25	1	Starter cord	1
11	537 23 25-01	1	Starhandtag	1
12	503 21 73-21	4	Screw CIHSCTO	1
13	544 46 36-04	1	Label, Starter	
14	544 19 71-02	1	Cooling air conductor	

D2 135 STARTER



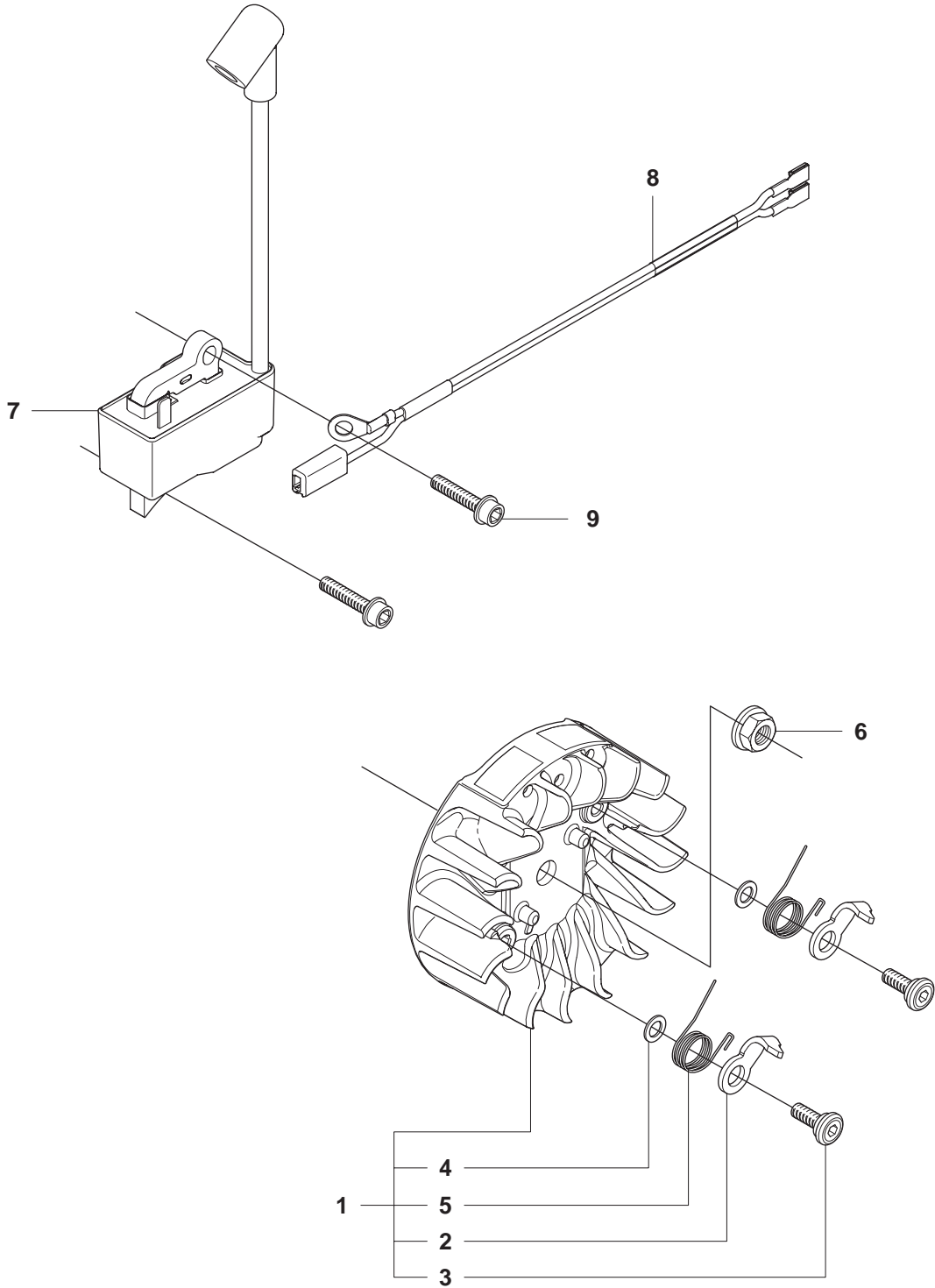
1



STARTER

Position	Article	Quantity	Notes	Kit
1	504 59 70-02	1	Starter assy, std	
2	504 59 69-01	1	Starter, Std	1
3	537 28 32-01	1	Reinforcement sleeve	1, 2
4	540 05 75-02	1	Spring cassette assy	1
5	503 21 28-10	2	Screw CCRPANT	1
6	504 59 71-01	1	Starter pulley	1
7	503 21 77-16	1	Screw IH SCT	1
8	505 30 51-25	1	Starter cord	1
9	537 23 25-01	1	Starter handle	1
10	503 21 73-21	4	Screw CIHSCTO	1
11	504 54 68-03	1	Label, Starter	
12	544 19 71-01	1	Cooling air conductor	

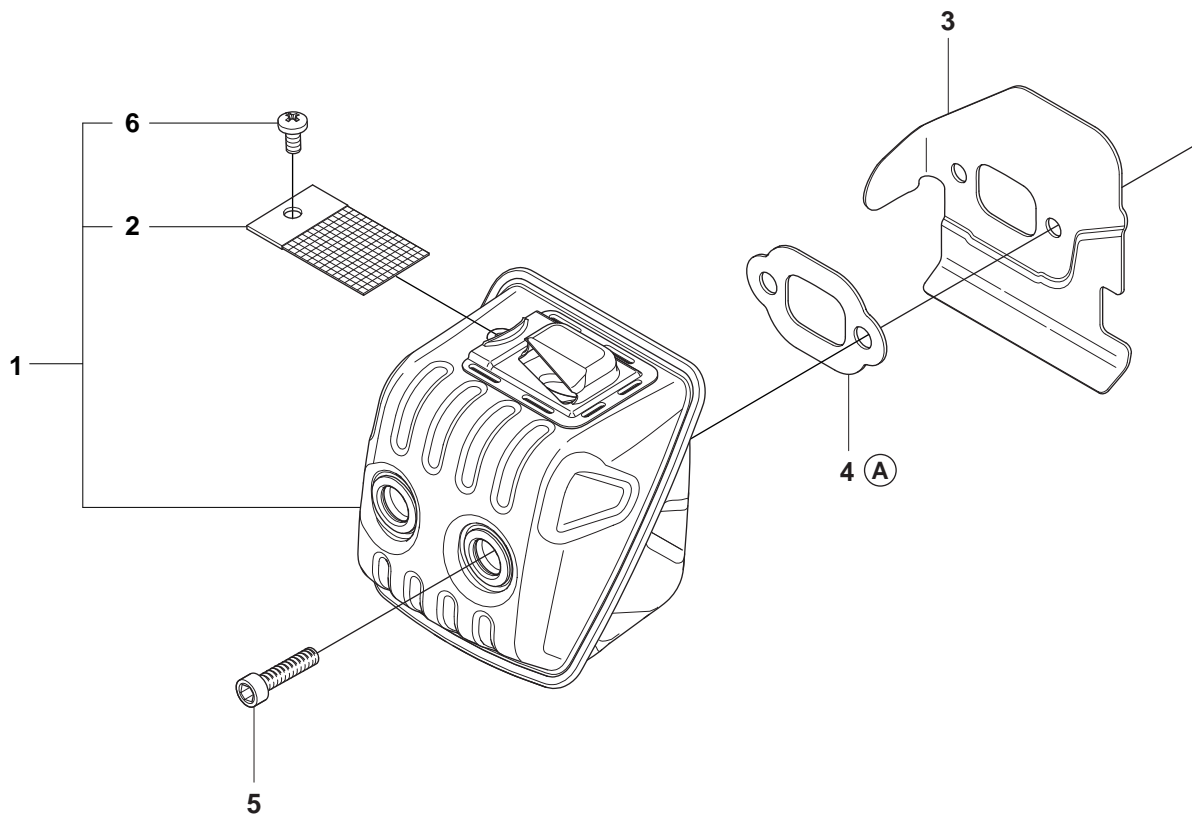
E 135, 135e
IGNITION SYSTEM



IGNITION SYSTEM

Position	Article	Quantity	Notes	Kit
1	544 87 42-02	1	Flywheel assy	
2	537 24 56-01	2	Starter pawl	1
3	501 81 99-03	2	Screw	1
4	503 23 00-42	2	Washer steel	1
5	529 27 11-01	2	Spring	1
6	503 22 04-01	1	Nut	
7	576 70 56-01	1	Ignition module	
8	510 10 14-01	1	Wiring assy	
9	503 20 02-20	2	Screw IHSCFM	

F 135, 135e
MUFFLER

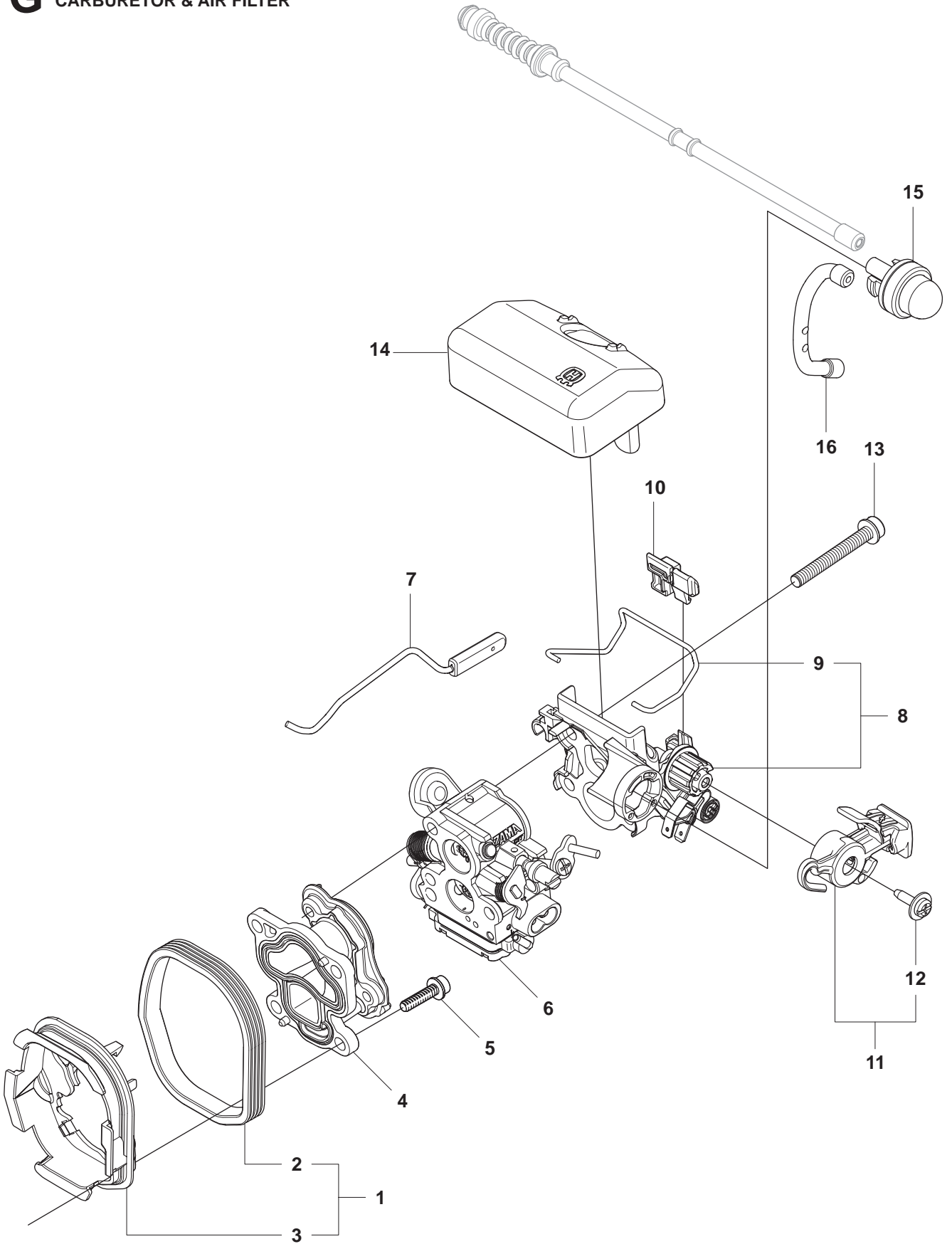


7
Ⓐ 504 79 40-01
Set of gaskets

MUFFLER

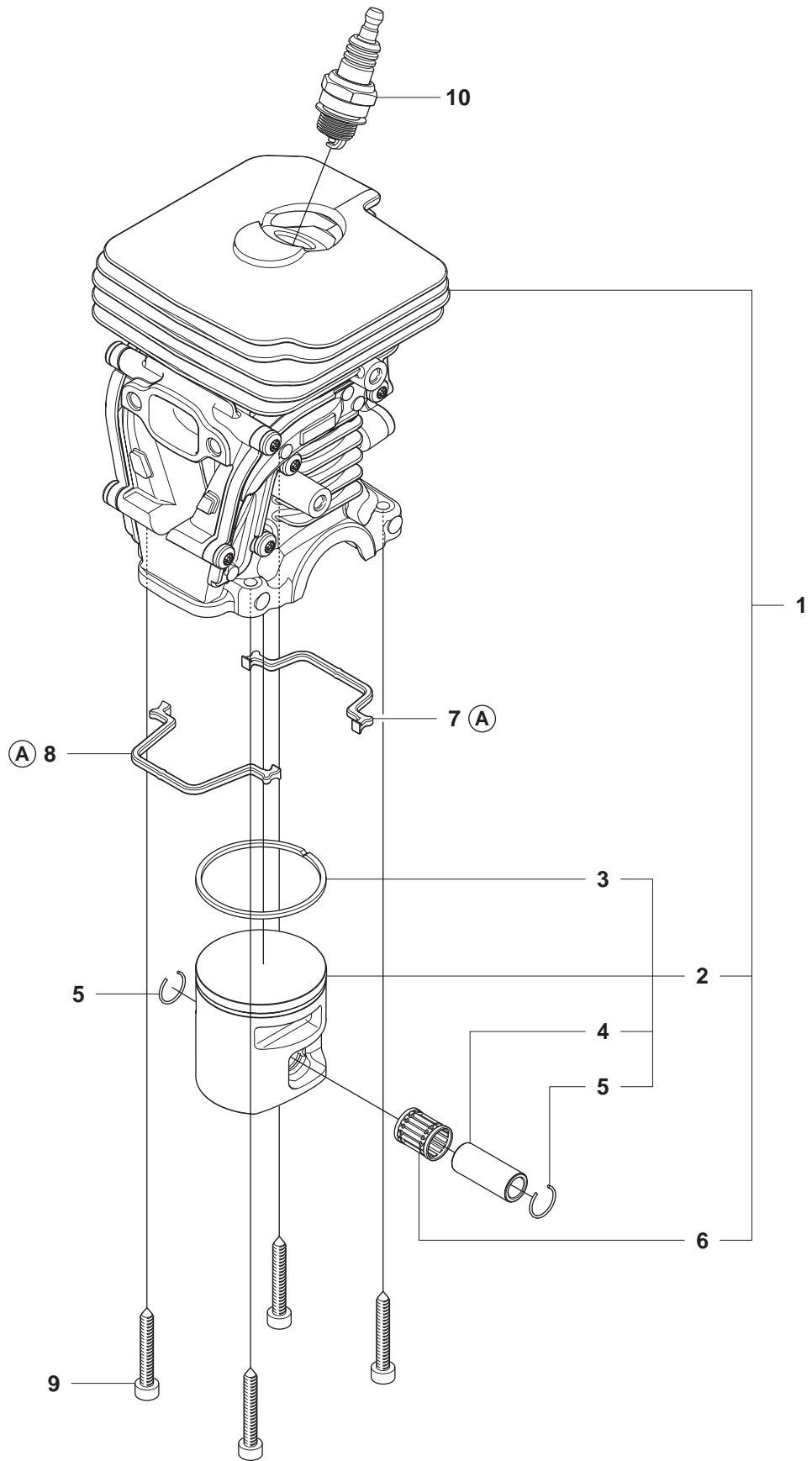
Position	Article	Quantity	Notes	Kit
1	544 14 77-02	1	Muffler assy	
2	503 86 36-01	1	Spark arrester	1
3	501 32 31-01	1	Heat deflector	
4	544 08 44-01	1	Gasket	7
5	725 53 68-55	2	Screw	
6	724 12 87-59	1	Screw	1
7	504 79 40-01	1	Set of gaskets	

G 135, 135e
CARBURETOR & AIR FILTER



Position	Article	Quantity	Notes	Kit
1	504 72 47-01	1	Insulation wall assy	
2	504 72 45-01	1	Insulation wall rubber	1
3	504 72 44-01	1	Insulation wall plastic	1
4	504 20 12-01	1	Inlet pipe	
5	503 20 02-16	4	Screw	
6	506 45 05-01	1	Carburettor	
7	544 28 44-01	1	Throttle rod assy	
8	544 97 64-01	1	Filter holder assy	
9	544 39 26-01	1	Shackle	8
10	504 71 25-01	1	Guide sliding shoe	
11	544 84 43-02	1	Control assy	
12	544 97 66-01	1	Screw	11
13	503 20 02-40	3	Screw	
14	544 80 54-02	1	Air filter assy (44 micron)	
14	544 80 54-03	1	Air filter assy (felt)	
15	503 93 66-01	1	Air purge	
16	544 40 19-01	1	Hose, airpurge suction	

H 135, 135e
CYLINDER PISTON



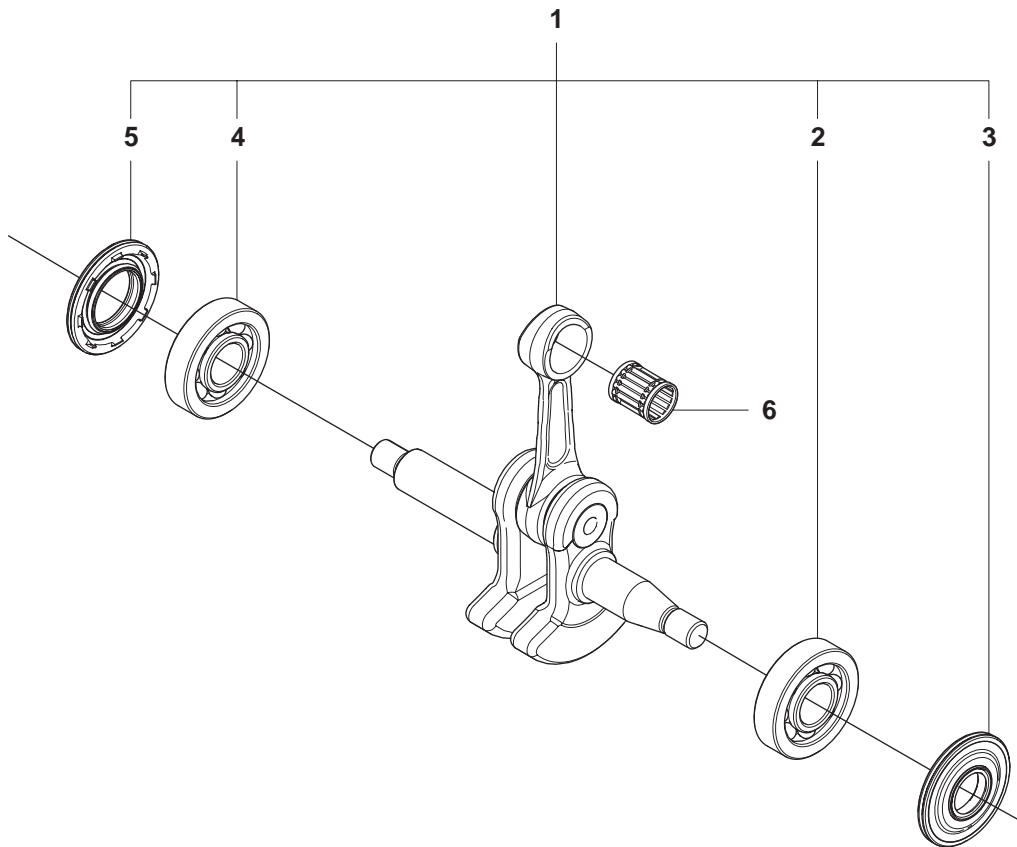
11

(A) 504 79 40-01
Set of gaskets

CYLINDER PISTON

Position	Article	Quantity	Notes	Kit
1	504 73 51-03	1	Cylinder assy	
2	502 62 50-02	1	Piston assy	1
3	544 40 59-01	1	Piston ring	2
4	544 40 60-01	1	Piston pin	2
5	537 39 99-01	2	Circlip	2
6	503 41 41-01	1	Needle bearing	1
7	544 39 60-01	1	Gasket, cylinder rear	11
8	544 39 59-01	1	Gasket, cylinder front	11
9	725 53 33-55	4	Screw	
10	503 23 51-11	1	Spark plug	
11	504 79 40-01	1	Set of gaskets	

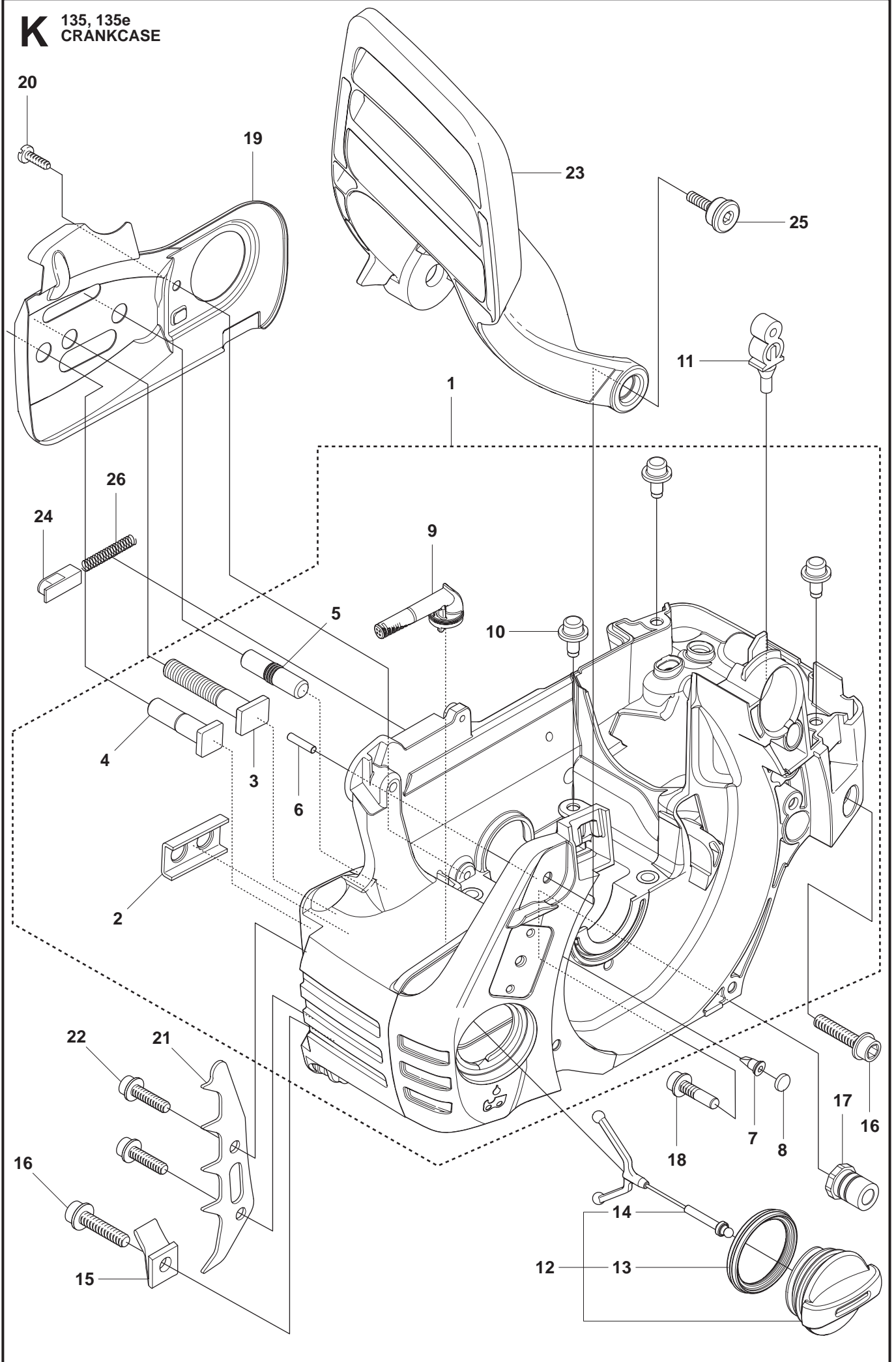
J 135, 135e
CRANKSHAFT



CRANKSHAFT

Position	Article	Quantity	Notes	Kit
1	525 60 46-01	1	Crankshaft	
2	544 24 87-02	1	Ball bearing 6001 OD32	1
3	544 25 12-01	1	Sealing 12x32x3,7	1
4	544 24 88-02	1	Ball bearing 6001 OD32w	1
5	544 25 13-01	1	Sealing 16,6x32,3,7	1
6	503 41 41-01	1	Needle bearing	

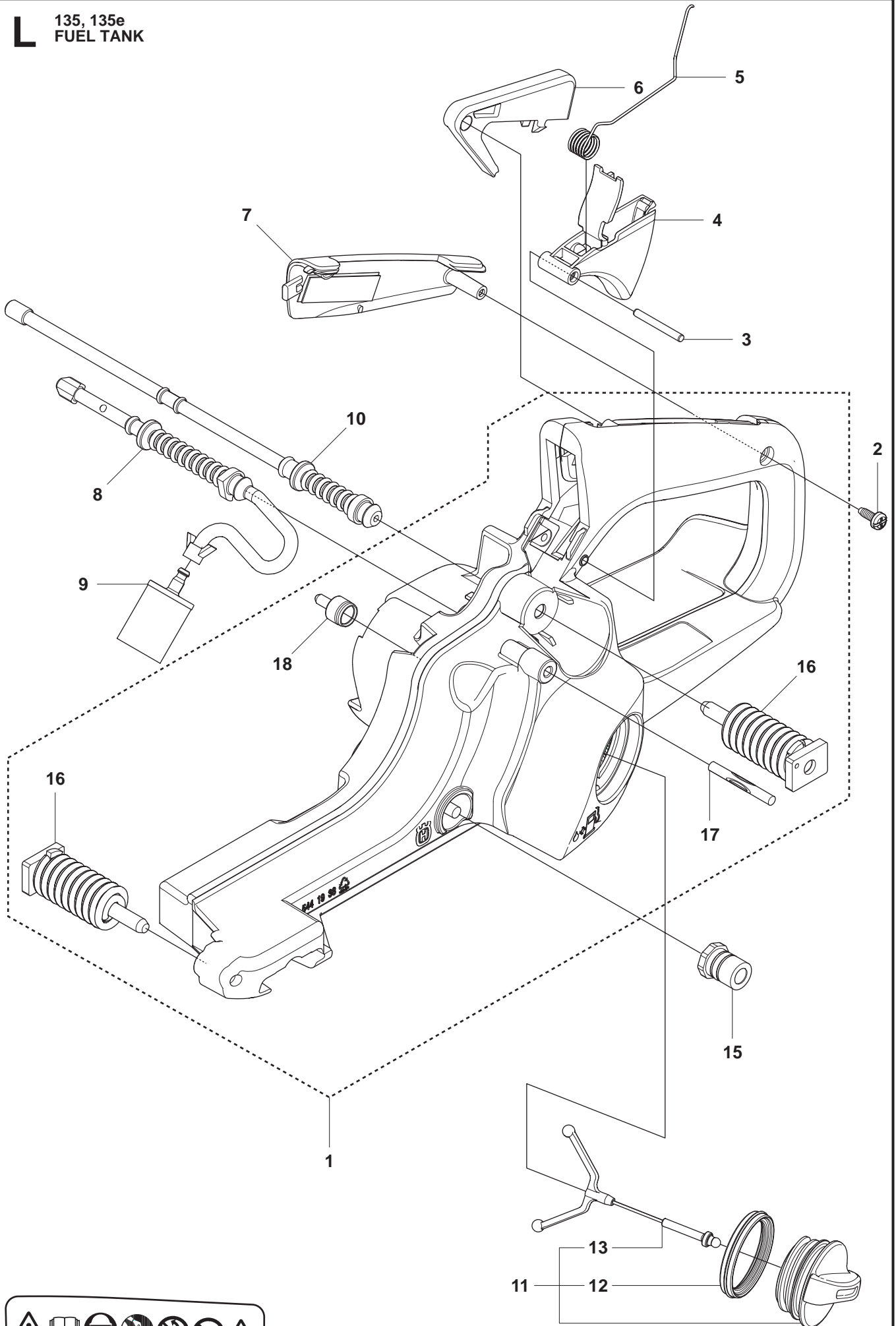
K 135, 135e
CRANKCASE



CRANKCASE

Position	Article	Quantity	Notes	Kit
1	544 93 25-03	1	Crankcase assy	
2	503 87 58-02	1	Stiffening plate	1
3	503 87 54-02	1	Bar bolt	1
4	537 33 46-01	1	Bar bolt	1
5	544 03 64-01	1	Bar bolt	1
6	503 24 09-05	1	Needle roller	1
7	530 02 61-19	1	Check valve	1
8	537 40 35-01	1	Filter	1
9	544 08 33-01	1	Oil screen	1
10	544 33 16-01	3	Guide pin	1
11	503 86 93-01	1	Support	
12	544 11 12-01	1	Tank cap assy	
13	537 21 50-01	1	Sealing	12
14	503 57 89-01	1	Holder	12
15	503 88 63-01	1	Chain catcher pin	
16	503 21 88-76	2	Screw	
17	501 00 76-01	1	Lateral support	
18	503 21 51-03	1	Screw	
19	544 28 46-01	1	Chain guide plate	
20	503 21 70-10	1	Screw	
21	544 28 65-01	1	Spike inner	
22	503 21 75-20	2	Screw	
23	544 25 15-01	1	Hand guard	
24	503 89 24-01	1	Catch	
25	503 89 30-01	2	Screw	
26	503 43 65-01	1	Lock spring	

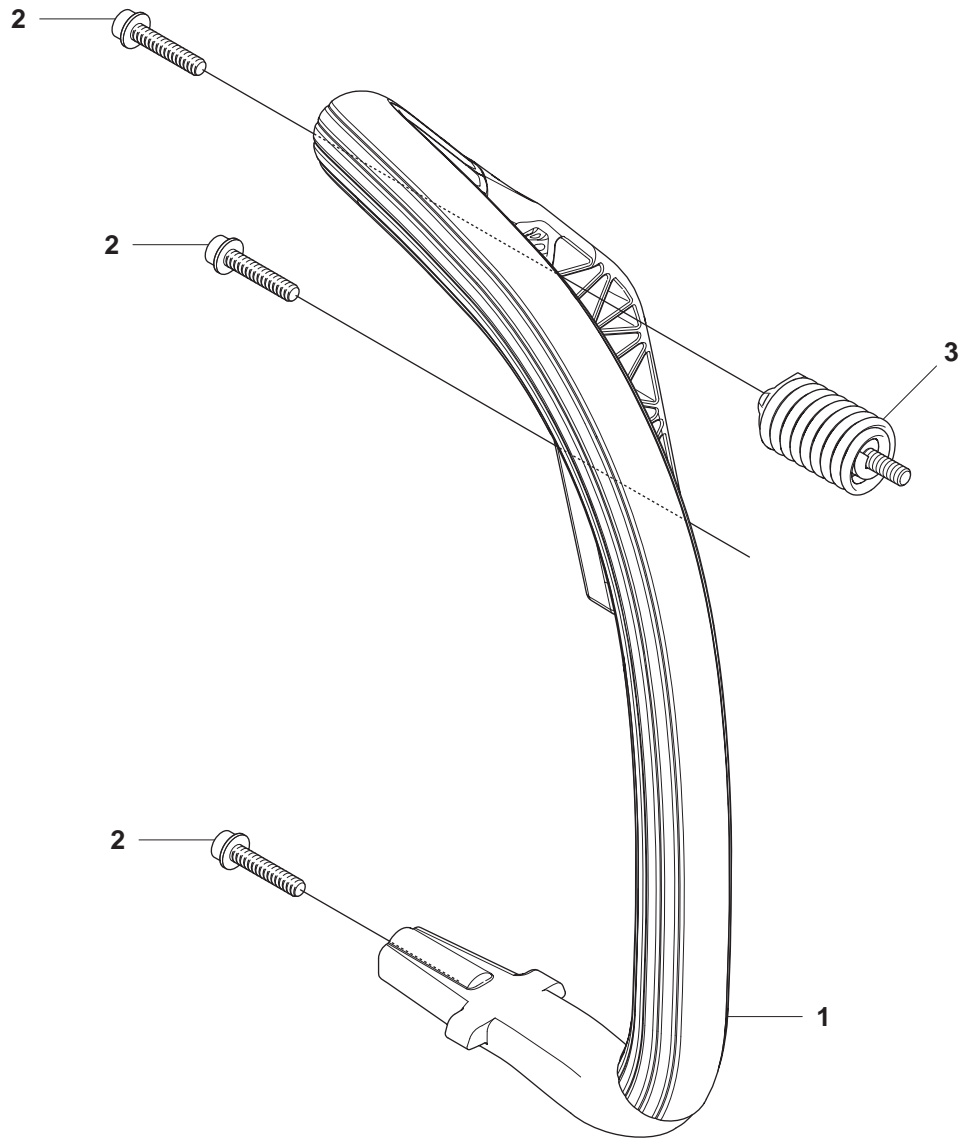
L 135, 135e
FUEL TANK



14

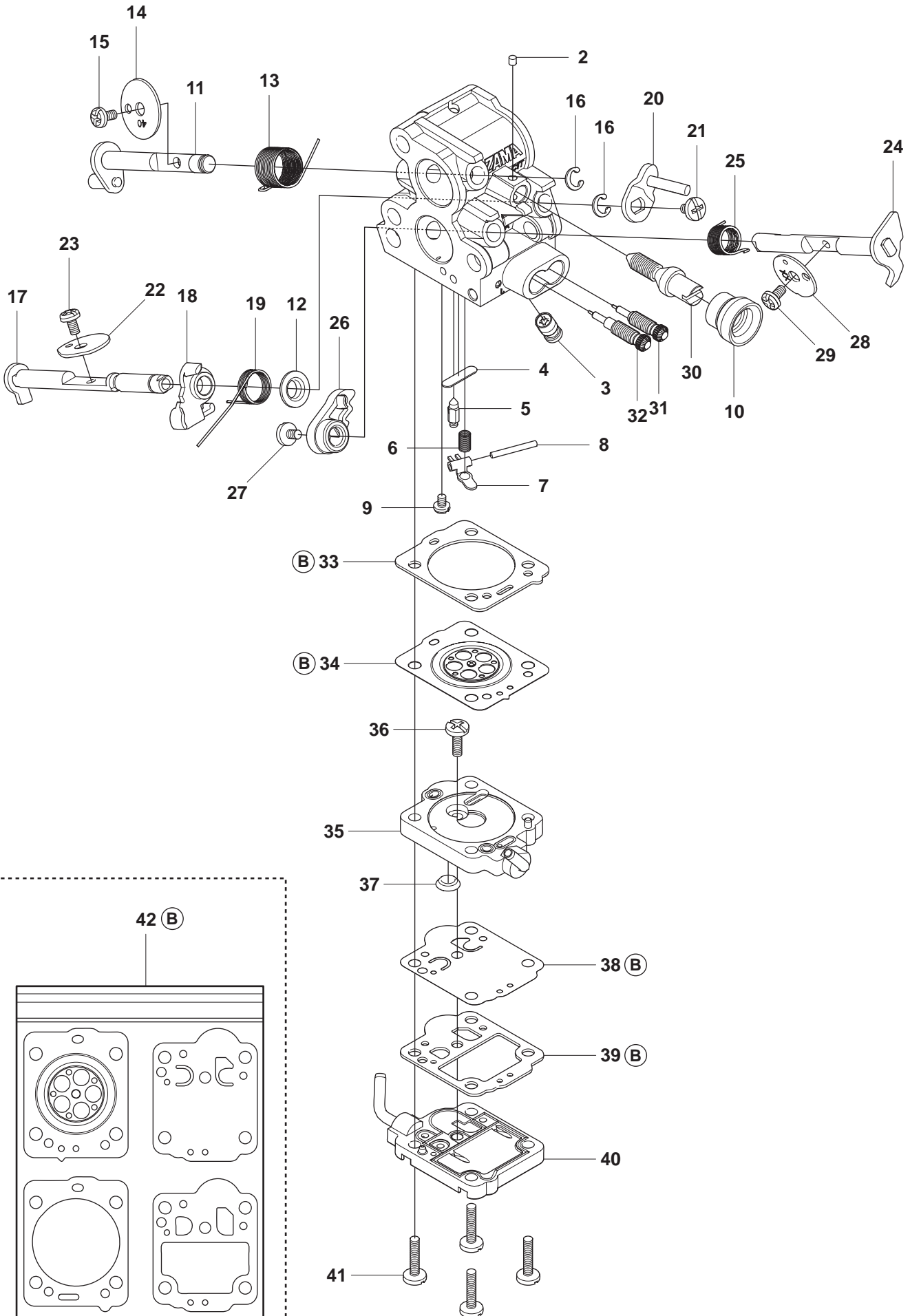
Position	Article	Quantity	Notes	Kit
1	544 19 38-07	1	Fuel tank assy	
2	503 21 28-10	1	Screw	
3	720 18 25-20	1	Pin	
4	544 96 85-01	1	Throttle control	
5	544 09 99-01	1	Spring	
6	544 28 41-01	1	Throttle lockout	
7	544 28 49-01	1	Handle insert	
8	544 12 86-01	1	Fuel hose	
9	503 44 32-01	1	Filter mix	
10	544 12 97-01	1	Return hose	
11	544 11 12-01	1	Tank cap assy	
12	537 21 50-01	1	Sealing	11
13	503 57 89-01	1	Holder	11
14	544 37 50-01	1	Decal warning	
15	501 00 76-01	1	Lateral support	
16	504 79 56-01	2	Antivibration element	1
17	721 12 63-39	1	Grooved pin	1
18	537 35 95-01	1	Fuel tank vent	1

M 135, 135e
HANDLE



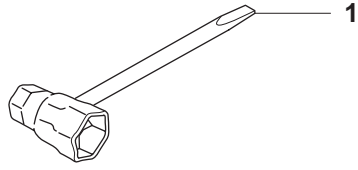
Page M		135, 135e		HANDLE	
Position	Article	Quantity	Notes	Kit	
1	544 28 40-01	1	Front handle		
2	503 21 88-76	3	Screw		
3	503 89 83-01	1	Antivibration element		

1



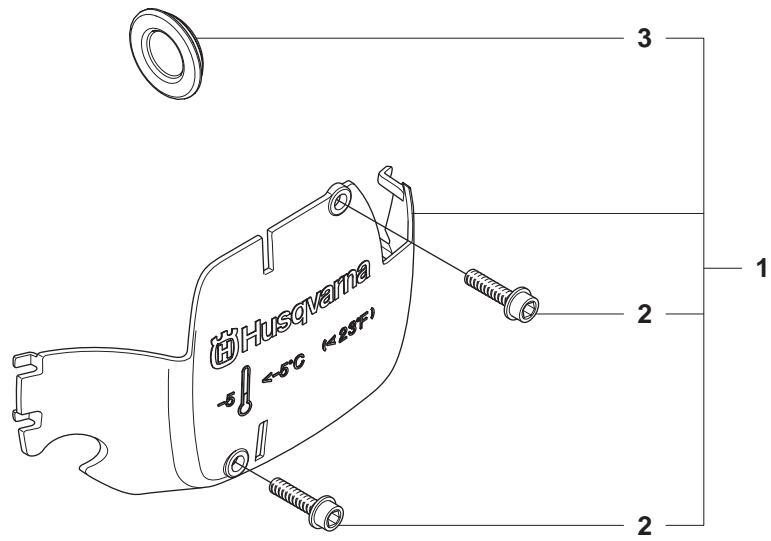
Page N 135, 135e		CARBURETOR		
Position	Article	Quantity	Notes	Kit
1	506 45 05-01	1	Zama C1T-EL41	
2	503 48 11-01	1	Piece	1
3	504 02 40-01	1	Nozzle assy	1
4	503 53 56-01	1	Plug welch	1
5	503 47 97-01	1	Valve	1
6	537 02 03-01	1	Spring	1
7	503 66 59-01	1	Lever	1
8	503 48 00-01	1	Pin retaning screw	1
9	504 02 41-01	1	Screw	1
10	505 53 52-01	1	Cap	1
11	504 02 61-01	1	Shaft assy	1
12	505 11 07-01	1	Collar	1
13	504 02 85-01	1	Spring	1
14	504 02 75-01	1	Valve	1
15	503 48 18-01	2	Screw	1
16	504 02 67-01	2	Circlip	1
17	504 02 62-01	1	Shaft assy	1
18	540 05 37-01	1	Lever	1
19	504 02 83-01	1	Spring	1
20	504 02 63-01	1	Lever	1
21	503 47 90-01	2	Screw	1
22	504 02 74-01	1	Valve	1
23	503 48 18-01	2	Screw	1
24	504 02 60-01	1	Shaft assy	1
25	504 02 84-01	1	Spring	1
26	544 98 31-01	1	Lever	1
27	503 47 90-01	2	Screw	1
28	504 02 76-01	1	Valve	1
29	503 47 92-01	1	Screw	1
30	504 02 73-01	1	Screw	1
31	504 90 92-01	1	Screw	1
32	504 02 81-01	1	Screw	1
33	504 02 43-01	1	Gasket	1, 42
34	504 02 45-01	1	Diaphragm	1, 42
35	504 02 46-01	1	Body	1
36	504 02 82-01	1	Screw	1
37	504 02 50-01	1	Strainer	1
38	504 02 56-01	1	Diaphragm	1, 42
39	504 02 57-01	1	Gasket	1, 42
40	504 02 59-01	1	Cover	1
41	504 02 78-01	4	Screw	1
42	504 02 86-01	1	Set of gaskets	

P 135, 135e
ACCESSORIES

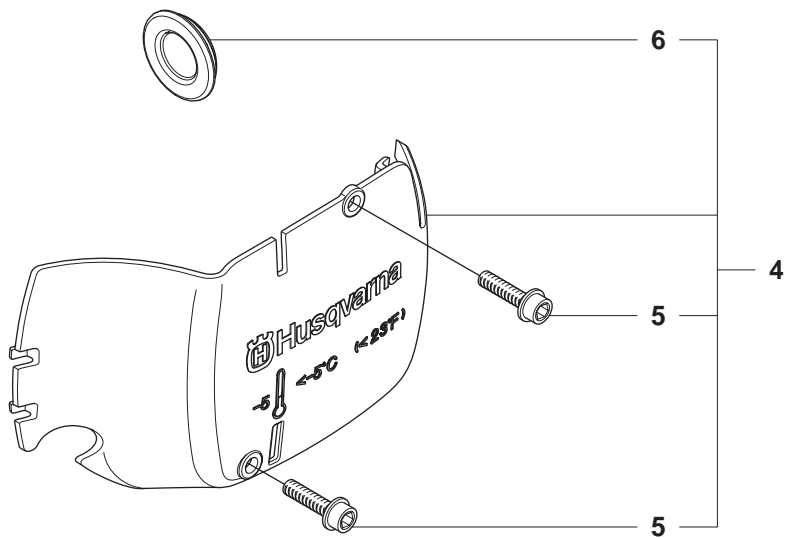


Page P 135, 135e		ACCESSORIES		
Position	Article	Quantity	Notes	Kit
1	503 55 85-04	1	Tool	

Q 135
WINTER KIT



Q 135e
WINTER KIT



Page Q 135, 135e		WINTER KIT		
Position	Article	Quantity	Notes	Kit
1	505 45 04-01	1	Winter kit, 135	
2	503 21 70-16	2	Screw	1
3	503 40 59-01	1	Winter plug	1
4	505 45 04-02	1	Winter kit, elasto, 135e	
5	503 21 70-16	2	Screw	4
6	503 40 59-01	1	Winter plug	4